

210MM

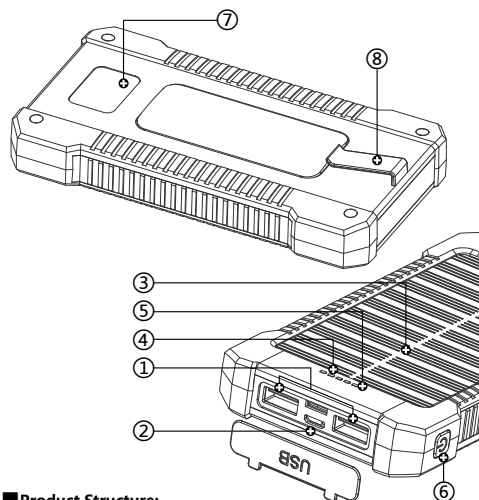
4 Patriots

PATRIOT POWER CELL

Thank you for purchasing our product.

USER GUIDE

The Solar Charging function is recommended for emergency use NOT as the primary power source. For daily use it is recommended that you recharge via the USB port on your computer.



Product Structure:

- ① Output(1)&(2)
- ② Input
- ③ Crystalline silicon solar cells
- ④ Integrated LED indicators
- ⑤ Solar-charging indicator
- ⑥ Power and LED Light on/off
- ⑦ Dual LED Lights
- ⑧ Hanger

Specification:

Battery type: Li-polymer battery
 Solar panel specification: 107*61MM(1.5W)
 Temperature for use: -10°C~+50°C
 Input: 5.0V 1.6A
 Output: 5.0V 2.1A(Max)
 Full charging time: 6 hours (Depends on adaptor power)
 Circulate service life: > 500 times, 5-6 years
 Size: 138*76*19MM
 Weight: 220G (Max)

Charging your device via computer:

1. Plug the lightning end of your charger cord in the small slot on your Patriot Power Cell between the two USB ports.
2. Plug the USB end of your charger cord into your computer.
3. Press the power control switch to start charging.
4. When all indicator lights are lit the Patriot Power Cell is fully charged.

Charging your device via solar panel:

1. Place the solar charger in daylight with panels facing out. The charger does not have to be in full sun to charge via solar panels.
2. Press the power control switch to start charging.
3. The solar LED light is green while the device is charging.



90MM

210MM

■ **Checking the battery levels**

Press the power button once to show the level of charge.

Pilot Lamp:	Capacity:
○○○○	0%
●○○○	1% - 25%
●●○○	25% - 50%
●●●○	50% - 75%
●●●●	75% - 100%

■ **Activating the LED lamp**

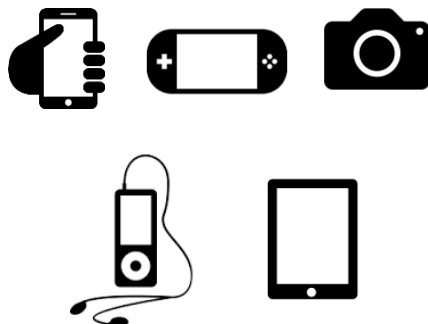
Press and hold the power to turn on the lamp. Single press the power button to cycle through the light options: On, SOS Strobe and Off.

Press and hold the power button on any mode to turn off the lamp.

■ **Devices you can charge with your Patriot Power Cell**

Your Patriot Power Cell will charge most devices with a USB port including iphones and smartphones, handheld games, ipads, tablets, cameras, MP3/4 players, Bluetooth devices. Device charging cord not provided.

Please use an approved USB charging cable that is compatible with your device for charging.



■ **Notes:**

1. Before using please charge via the cord provided until fully charged. This will activate the solar charging capacity. Only use the charging accessories provided to charge this device.
2. Do not disassemble or try to repair the item yourself. Take care not to damage or puncture the solar panels.
3. Please keep away from excessive heat or open flames. Do not leave the charger in your car if there is a likelihood of high temperatures in the car.
4. Please keep the solar panels and the USB ports clean.
5. Please charge the Patriot Power Cell at least once a month to prolong the battery life. Your charger should be maintained at a minimum level of 50% charging capacity.
6. Please keep away from children.

90MM

